

5. Gimbal Parameter Adjustment

The product defaults to stabilization mode. If you need to adjust parameters, please go to the HEQUAV official website to download the Assistant software and firmware.

If you cannot install after downloading, please pay attention to whether the computer has a driver installed or the Assistant software is blacklisted by the computer antivirus software.

Note: The Assistant software is only available on WINDOWS system.

6. Assistant Usage Instructions

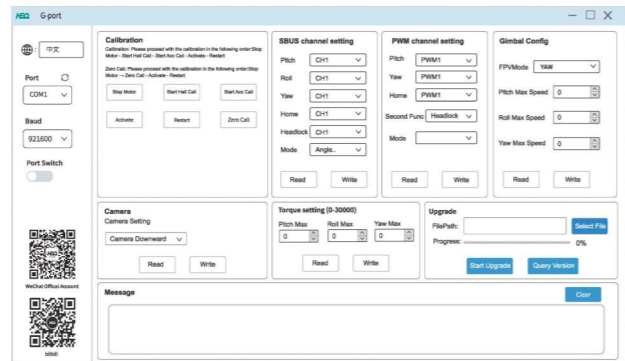
Open the G-PORT Assistant folder, find exe , and double-click to open the Assistant software.

> G-PORT Assistant

名称	修改日期	类型	大小
ffmpeg	2025-03-12 10:25	文件夹	
HEQ heq-integration-All-0325(1).exe	2025-03-12 10:41	应用程序	20,423KB

Select "G-PORT" in the Assistant software homepage to enter the G-Port parameter page

Connect to the computer using a Type-C data cable, select the correct port, set the baud rate to "921600", and click the "Open" button to establish the connection.



Please note that after each adjustment of the parameters, click "Write", and then click "Restart" for the settings to take effect.

Please search "HEQUAV" on social media

You can view the detailed parameter adjustment tutorial on HEQUAV official social media.

7. Compatible Camera Types

DJI Version
DJI O3 Air Unit、 DJI O4 Air Unit Pro、 DJI O4 Air Unit
CADDX Version
Walksnail Moonlight Kit
Walksnail Avatar HD Pro Kit
Walksnail Avatar HD Kit V2
CADDXFPV Polar Starlight Vista Kit
CADDXFPV Nebula Pro Vista Kit
Walksnail Avatar HD Kit V2 (Dual Antennas Version)
Walksnail Avatar HD Pro Kit (Dual Antennas Version)
RunCam Link Phoenix HD Kit
RunCam Link Wasp Kit
RunCam Link Night Eagle Kit

Please search "HEQUAV" on social media



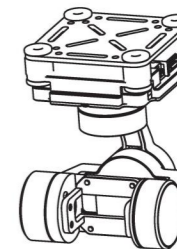
If this document is updated, without further notice



G-PORT

Quick Start Guide

V1.2

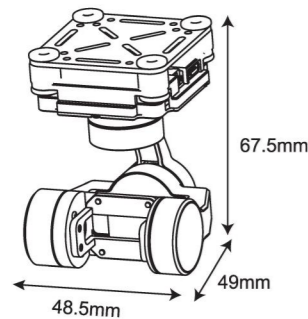


Shenzhen HEQ Intelligent Technology Co.,Ltd.

1.Product Introduction

G-port is a 3-axis gimbal component developed by HEQ for FPV enthusiasts and fixed-wing drone hobbyists. G-port boasts high stability and supports both upright and inverted installations. It is compatible with DJI O3/O4/O4Pro/Caddx, supports three inputs: mavlink, sbus, and pwm. It is adaptable to various flight platforms. This allows users to quickly assemble their personalized gimbal camera.

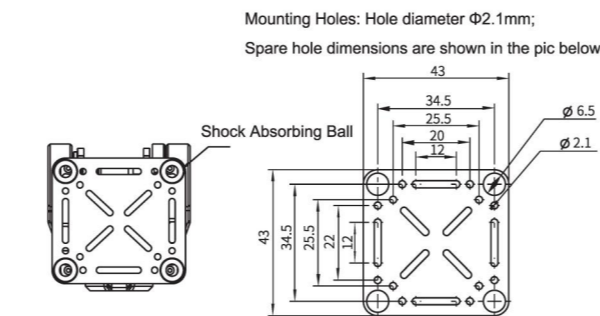
Tips: This gimbal cannot support DJI O3/O4/O4Pro/Caddx camera at the same time. Please contact us to determine which model needs to be adapted before purchasing.



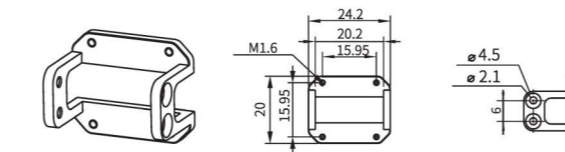
2.Parameter List

Gimbal Parameters	
Axes	Mechanical three-axis
Weight	DJI O3 & Caddx Version 67g
	DJI O4 Air Unit Version 75g
	DJI O4 Air Unit Pro Version 71g
Gimbal Angles	Pitch: -135° to 45°
	Yaw: -135° to 135°
	Roll: -45° to 45°
Supported Control Modes	sbus 、 pwm 、 mavlink
Supported Camera Types	DJI O3/O4/O4Pro /Caddx (Other types can be customized)
Supply Voltage	12V-18V

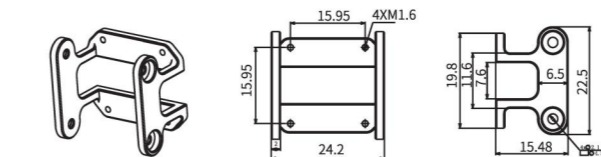
3.Installation Dimensions(mm)



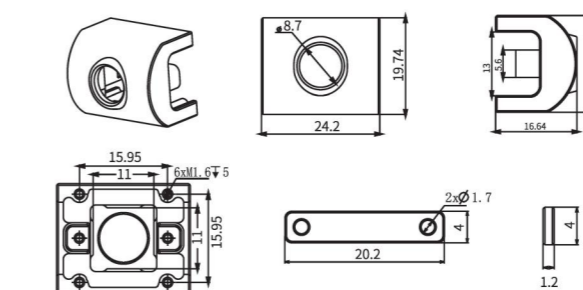
DJI O3 & Caddx Version



DJI O4 Air Unit Pro Version



DJI O4 Air Unit Version



4.G-Port Interface Definitions

